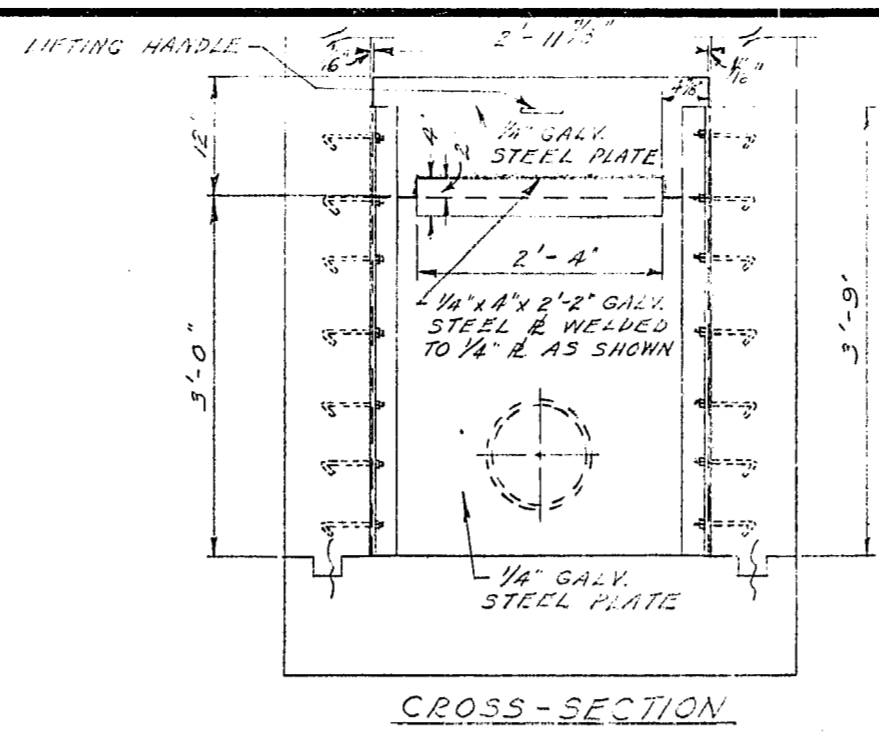
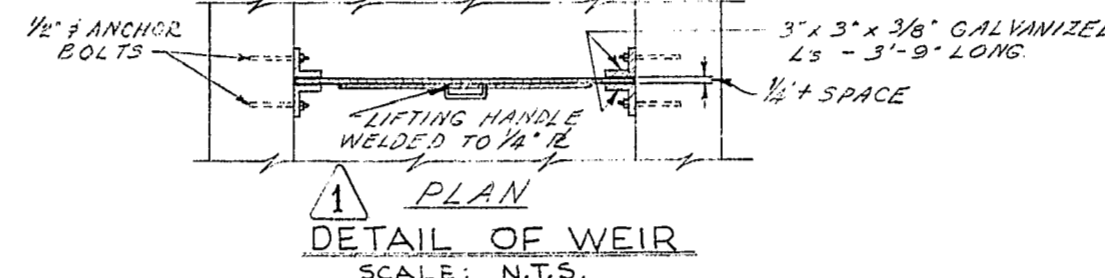


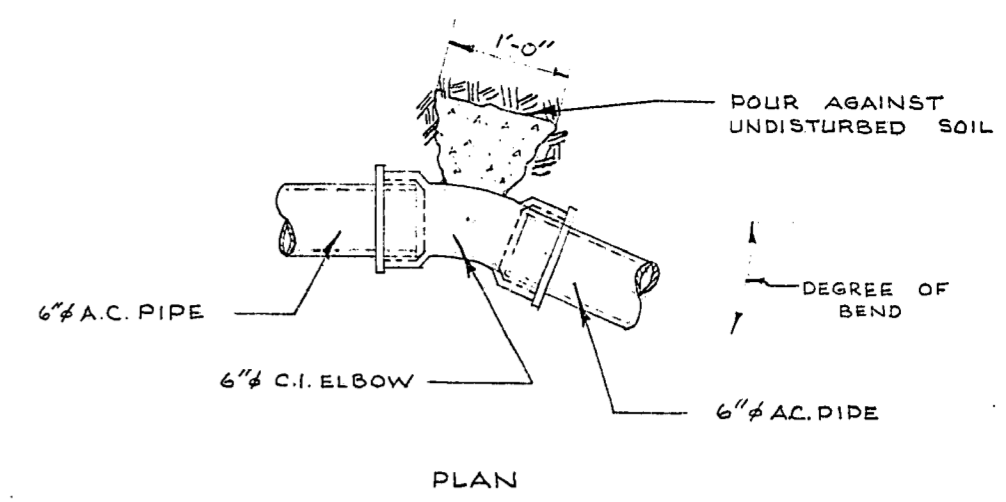
PLAN
SCALE: 3/4"=1'-0"



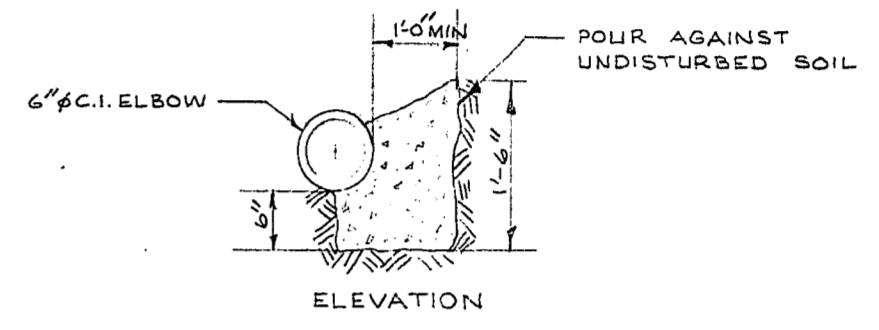
CROSS-SECTION



DETAIL OF WEIR
SCALE: N.T.S.

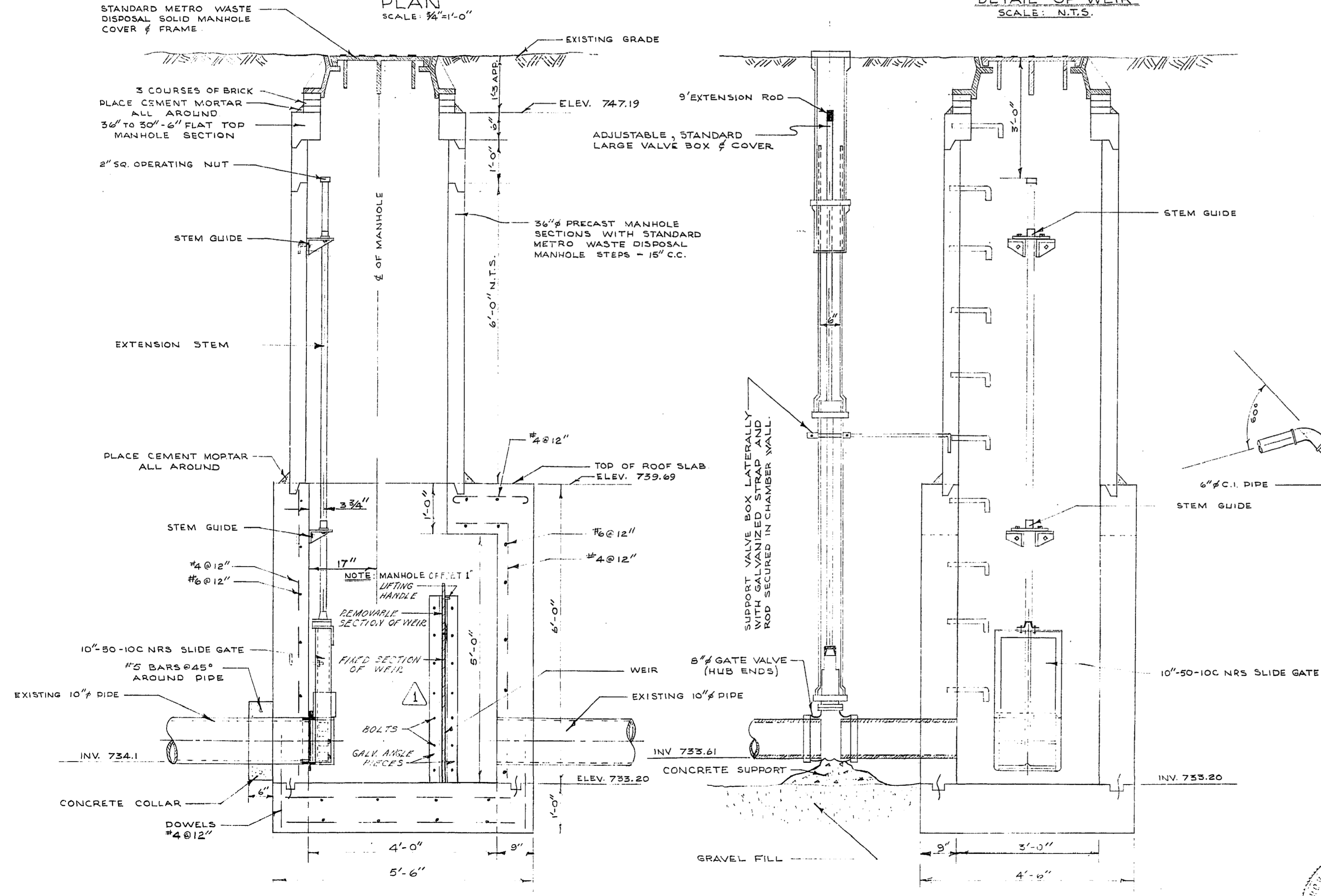


PLAN



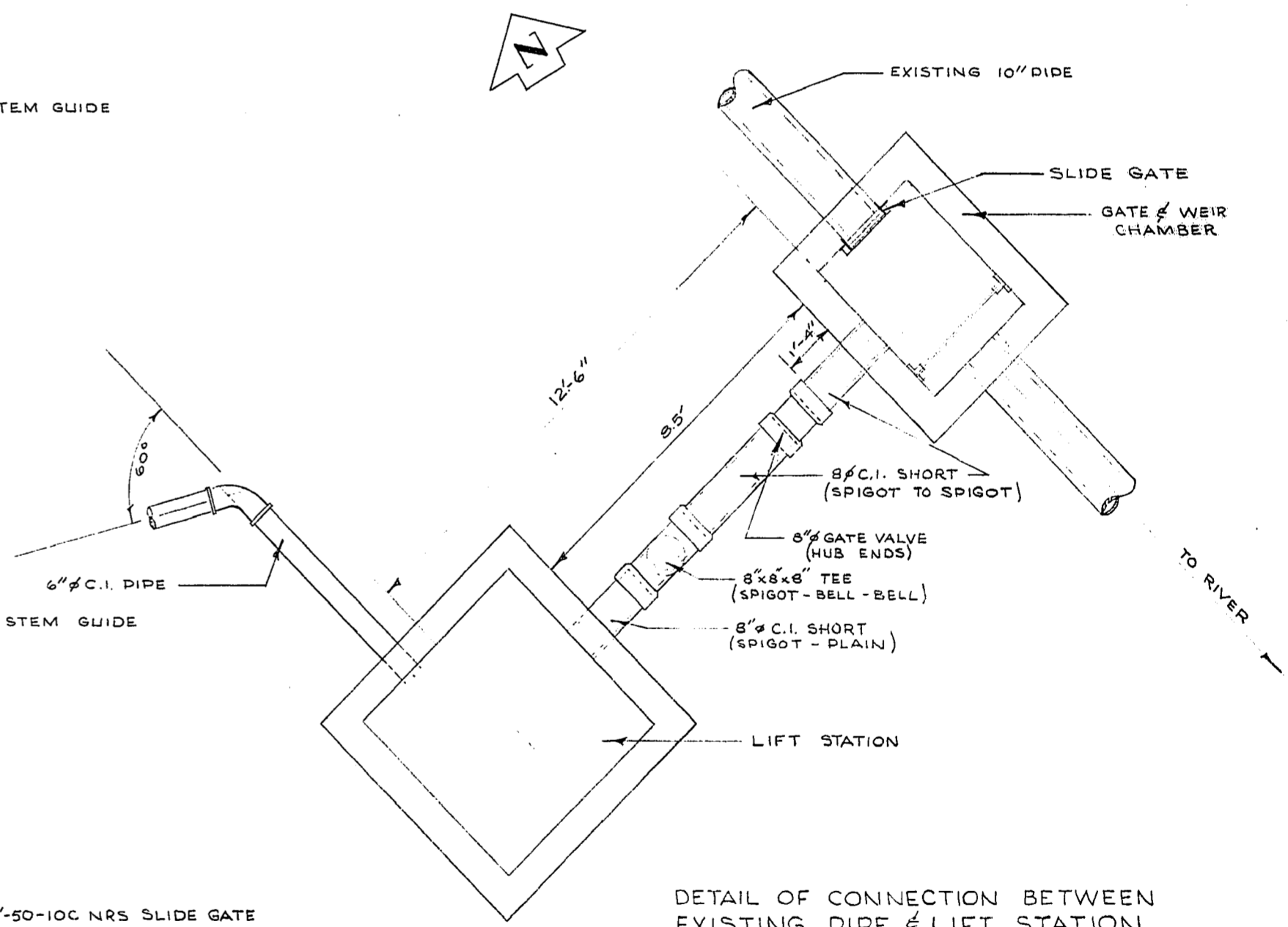
ELEVATION

DETAIL OF TYPICAL THRUST BLOCK
ONE AT STA 2+71 WITH BEARING AREA REQ'D OF 1.5 SQ. FT.
ONE AT STA 4+10 WITH BEARING AREA REQ'D OF 1.5 SQ. FT.
SCALE 3/4"=1'-0"



SEC "A-A"
SCALE: 3/4"=1'-0"

SEC "B-B"
SCALE: 3/4"=1'-0" & N.T.S.



DETAIL OF CONNECTION BETWEEN
EXISTING PIPE & LIFT STATION
SCALE: 3/8"=1'-0"

APPROVED AS BUILT - OCT. 17, 1962 - K.B.

APPROVED:
DIRECTOR OF PARKS & PROTECTION



REVISIONS			
NO.	DESCRIPTION	DATE	BY
1	ALUMINUM WEIR CHANGED TO 1/4" GALV STEEL & ADJUSTABLE WEIR	3 JUN 62	J.A.
2	AS BUILT	OCT. 17 62	KB
3			
4			
5			
6			
7			
8			

THE METROPOLITAN CORPORATION OF GREATER WINNIPEG
WATERWORKS & WASTE DISPOSAL DIVISION
WASTE DISPOSAL BRANCH

KILDONAN PARK
LIFT STATION & FORCEMAIN
SLIDE GATE & WEIR CHAMBER

APPROVED BY: *[Signature]*
DRAWN BY: *[Signature]*
DATE: *[Date]*
CHECKED BY: *[Signature]*
DATE: *[Date]*
SCALE: AS SHOWN

DRAWING NO.
ZS-35